

SMARTSHUNT

USER MANUAL

Version : 100A | 300A | 500A



Version : 1000A



1	Important Notices.....	3
1.1	Limited Warranty.....	3
1.2	Packing List.....	4
2	Technical Data	5
2.1	General information.....	5
2.2	General specifications.....	6
2.3	NMEA2000 specifications.....	8
2.4	Connectors.....	8
2.4.1	Power supply & battery inputs B1-B3.....	8
2.4.2	External temperature sensor inputs.....	8
2.4.3	Shunt	9
2.4.4	NMEA2000 compatible M12 connector pinout.....	10
2.5	Indications.....	11
3	Installation.....	12
4	Configuring SMARTSHUNT.....	13
4.1	Configuration via Wi-Fi.....	14
4.1.1	Homepage	15
4.1.2	Battery configuration.....	16
4.1.3	Shunt configuration page	16
4.1.4	Info page.....	17
4.2	Configuration via LXNAV Exxx device.....	17
4.2.1	Battery setup	17
4.2.2	Shunt setup	18
5	First operation.....	19
6	Dimensions.....	20
6.1	Mounting recommendations.....	21
7	Wiring.....	22
8	Supported PGNs.....	25
9	Revision history	26

1 Important Notices

Information in this document is subject to change without notice. LXNAV reserves the right to change or improve their products and to make changes in the content of this material without obligation to notify any person or organization of such changes or improvements.



A Yellow triangle is shown for parts of the manual which should be read very carefully and are important when operating the E500/E700.



Notes with a red triangle describe procedures which are critical and may result in loss of data or any other critical situation.



A bulb icon is shown when a useful hint is provided to the reader.

1.1 Limited Warranty

This SmartSHUNT product is warranted to be free from defects in materials or workmanship for two years from the date of purchase. Within this period, LXNAV will, at its sole option, repair or replace any components that fail in normal use. Such repairs or replacement will be made at no charge to the customer for parts and labour, provided that the customer pays for shipping costs. This warranty does not cover failures due to abuse, misuse, accident, or unauthorized alterations or repairs.

THE WARRANTIES AND REMEDIES CONTAINED HEREIN ARE EXCLUSIVE AND IN LIEU OF ALL OTHER WARRANTIES EXPRESSED OR IMPLIED OR STATUTORY, INCLUDING ANY LIABILITY ARISING UNDER ANY WARRANTY OF MERCHANTABILITY OR FITNESS FOR A PARTICULAR PURPOSE, STATUTORY OR OTHERWISE. THIS WARRANTY GIVES YOU SPECIFIC LEGAL RIGHTS, WHICH MAY VARY FROM STATE TO STATE.

IN NO EVENT SHALL LXNAV BE LIABLE FOR ANY INCIDENTAL, SPECIAL, INDIRECT OR CONSEQUENTIAL DAMAGES, WHETHER RESULTING FROM THE USE, MISUSE, OR INABILITY TO USE THIS PRODUCT OR FROM DEFECTS IN THE PRODUCT.

Some states do not allow the exclusion of incidental or consequential damages, so the above limitations may not apply to you. LXNAV retains the exclusive right to repair or replace the unit or software, or to offer a full refund of the purchase price, at its sole discretion. SUCH REMEDY SHALL BE YOUR SOLE AND EXCLUSIVE REMEDY FOR ANY BREACH OF WARRANTY.

To obtain warranty service, contacts your local LXNAV dealer or contact LXNAV directly.

1.2 Packing List

- SMARTSHUNT unit
- Installation manual
- Battery connector
- 1x temperature sensor

2 Technical Data

2.1 General information

LXNAV SMARTSHUNT is smart battery monitoring unit compatible with NMEA2000 network standard. It accurately measures DC voltages of up to three batteries bounded in series and includes shunt for current measurements. With additional temperature sensors for each battery pack it estimates state of charge, state of health and remaining time. It supports multiple types of batteries and can be configured through any LXNAV Exxx device or via webpage accessible over internal Wi-Fi hotspot. Parameters set there are available on NMEA2000 network to any device such as LXNAV's E350, E500 etc. LXNAV SMARTSHUNT is available in three versions with 100, 300 and 500 A shunt. All of them are 25 mV. For proper installation read next chapters carefully.

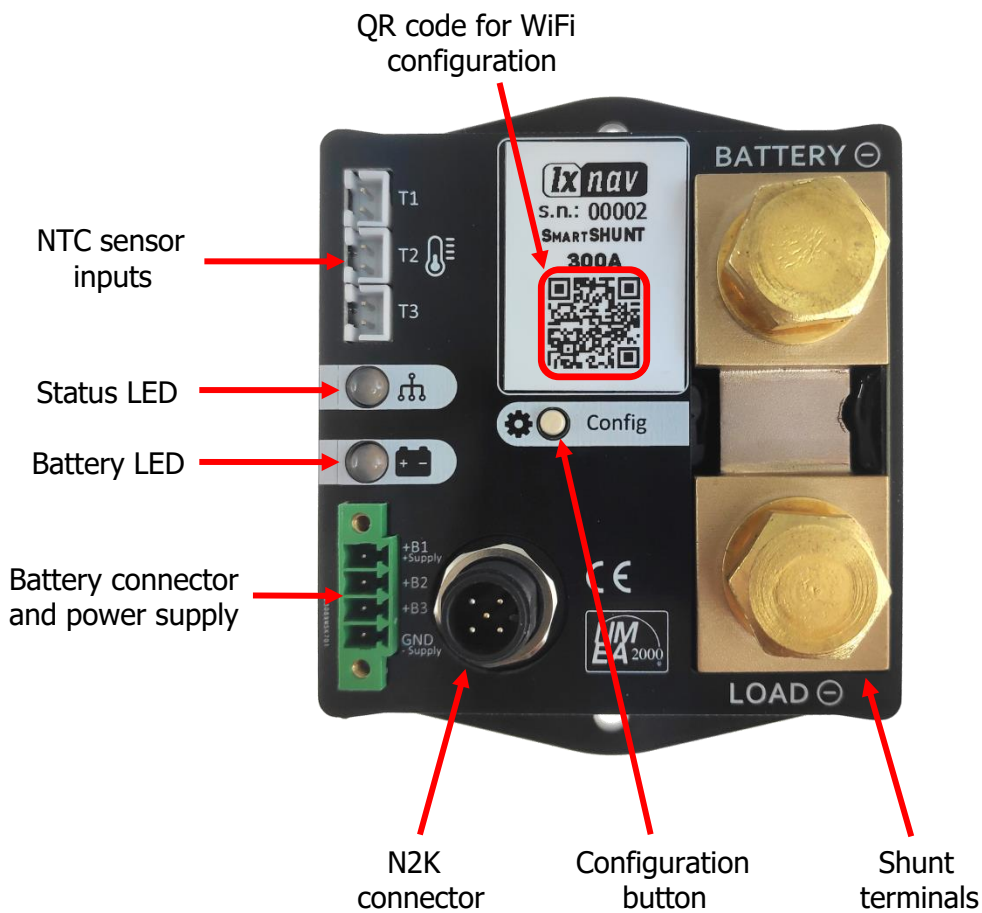


Figure 1: SMARTSHUNT - top view

2.2 General specifications

Parameter	Condition	Min	Typ	Max	Unit
Absolute maximum supply voltage ^{(1) (2)}		0	12	65	V
Absolute maximum supply voltage ⁽²⁾ N2K		0	12	31	V
Operating supply voltage ⁽¹⁾	Recommended	8	12	60	V
Operating supply voltage N2K	Recommended	8	12	28	V
Current consumption on batt. connector	@12V, Standby		3.3		mA
Current consumption on batt. connector	@12V, WIFI OFF		10	11	mA
Current consumption on batt. connector	@12V, WIFI ON		57	65	mA
Current consumption N2K	@12V		21		mA
Load equivalent number N2K	@12V		1		LEN
Operating temperature		-40		+75	°C
Storage temperature		-40		+95	°C
(100A, 300A, 500A: Peak < 1min) (1000A: Overload < 2h)	100A 300A 500A 1000A		130 400 650 1200		A
Nominal current	100A 300A 500A 1000A		100 300 500 1000		A
Max current load (constant)	100A 300A 500A 1000A		66 200 350 700		A
Weight	100A 300A 500A 1000A		400 400 410 1019		g
Housing dimensions LxWxH (with screws and connectors)	100A/300A/500A 1000A		102.8x78.6x39.1 114.5x83.0x55.0		mm
Ingress protection			IP64		

Note1: Supplied via 4 pin battery connector

Note2: Voltages outside of this range may permanently damage the device

Table 1: General specifications

Parameter	Condition	Min	Typ	Max	Unit
ADC resolution			18		bit
Zero offset accuracy (of full range)			±0.16%		%
Current Accuracy			±1%		%
Current Resolution	100A 300A 500A 1000A		0.004 0.011 0.019 0.019		A
Current Range	100A 300A 500A 1000A			500 1500 2500 2500	A
Current Sampling rate			4SPS (250ms)		SPS

Table 2: Current measurements

Parameter	Condition	Min	Typ	Max	Unit
ADC resolution			12		bit
Accuracy			±0.6%		%
Resolution			(12bit)18mV		mV
Range		0		75	V

Table 3: Voltage measurements

Parameter	Condition	Min	Typ	Max	Unit
ADC resolution			12		bit
Accuracy			5% @ (-40°C ..+0°C) 3% @ (0°C ..+75°C) 2% @ (75°C ..+150°C)		%
Resolution			12bit		
Range		-20		150	°C

Table 4: Temperature measurements

2.3 NMEA2000 specifications

Parameter	Description
Compatibility	NMEA2000 compatible
Bit rate	250 kbps
Connection	A coded M12 connector

Table 5: NMEA2000 specifications

2.4 Connectors

2.4.1 Power supply & battery inputs B1-B3

LXNAV SMARTSHUNT is powered from 4-pin terminal connector from which it also measures voltages of up to three batteries. Maximum allowable voltage on each +Bx terminal is 65 V. When installing, try to make sense wires as short as possible and keep them away from high current sources like cables, electric motors etc.



Figure 2: Battery terminals

Pin name	Description
+B1 (+Supply)	Power supply for device and measuring port for first battery
+B2	Measuring terminal for second battery
+B3	Measuring terminal for third battery
GND (-Supply)	Common ground terminal for all three batteries, also for power Supply

Table 6: Battery connector pinout

2.4.2 External temperature sensor inputs

Each external NTC 10 k Ω temperature sensor is supplied with SMARTSHUNT for additional information of battery status. With it we can calculate even more precise capacity of battery that changes with temperature. Besides that, lifetime of battery also depends on temperature of environment, where battery is stored. Sensor is supplied on 1 m long cable that fits in two pin connectors labeled from T1 to T3. On the other side of cable is ring lug terminal with

mounting whole diameter of 3.7 mm. When installing system keep in mind that each sensor number refers to same battery number. For example, sensor T1 is for battery pack B1, T2 for B2 and T3 for B3.



Figure 3: NTC sensors inputs T1-T3

2.4.3 Shunt

SMARTSHUNT is low side current sense device and it must be placed between load and ground. Wire the terminal labelled **BATTERY** - to battery ground and **LOAD** - to ground from system load. Depends on power needs use suitable cross sections of cables and screw them with appropriate ring lugs, that are compatible with shunt's screw thread size of M10.



Figure 4: Shunt terminals

2.4.4 NMEA2000 compatible M12 connector pinout

M12 5-pin A-coded connector on top of unit is compatible with NMEA2000 and has standard pinout. When installing, follow the recommendations of NMEA2000 network wiring. Always use free Tee connector on existing network. Make sure that connectors are tightened together properly to seal metal contacts inside and prevent oxidation.



Figure 5: M12 N2K connector on SMARTSHUNT

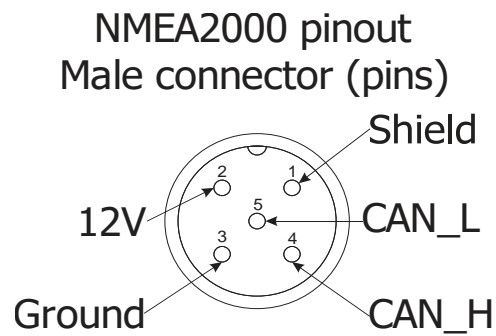


Figure 6: NMEA2000 M12 Male connector pinout (view from unit side)

2.5 Indications

SMARTSHUNT unit features two RGB LEDs on top side for quick status indication. One for general status of unit while the other is for battery state of charge indication. All possible modes are described in tables below:

- Status LED:

Colour	Description
Blinking blue LED with 1 Hz	Working CAN network
Blinking blue LED with 10 Hz	Initialization of WIFI network
Solid blue LED	WIFI initialized, configuration disabled
Solid violet LED	WIFI initialized, configuration enabled
Blinking red LED	Hardware fault

Table 7: Status LED color description

- Battery LED:

Colour	Description
Blinking red LED 1 Hz	SMARTSHUNT is not configured
Solid red LED	State of charge <30 %
Solid yellow LED	State of charge <50 %
Solid green LED	State of charge >50 %

Table 8: Battery LED color description

3 Installation

Cable diameter/current

4 Configuring SMARTSHUNT

For proper operation SMARTSHUNT must be configured prior use. Configuration can be performed via WiFi connection or NMEA2000 network with one of LXNAV devices. There are several parameters that should be either selected from available options or written by the user. Selecting right parameters is crucial for correct calculations and displaying warnings.

Battery parameter	Options
Bank type	Main battery, primary battery, secondary battery, auxiliary battery, port battery, starboard battery, bow battery, stern battery, solar battery, starter battery, battery bank 1, battery bank 2 and "other" battery
Chemistry type	Lead acid, Li-Ion, Ni-Cad, Zn-O, Ni-Mh
Battery type	Flooded, GEL, AGM
Nominal voltage	6 V, 12 V, 24 V, 32 V, 36 V, 42 V, 48 V
Rated capacity	Should be set by the user according to battery capacity
Temperature	Celsius, Fahrenheit, Kelvin

Table 9: Battery parameters

Shunt parameter	Options
Peukert exponent	Dependency between battery capacity and discharge rate. Valid values 1.0 ~ 1.5 Initial value is set automatically based on battery chemistry.
Charging efficiency	Charger's efficiency. Valid values 0.6 ~ 1.0 Value is constantly modified during battery lifetime.
Temperature coefficient	Dependency between battery capacity and environment temperature. Valid values 0.0 ~ 1.0
Voltage at battery full (V)	Charger's float voltage. Initial value is set automatically based on battery chemistry and nominal voltage.
Current at battery full (A)	Charger's float current. Initial value is set automatically based on battery chemistry and rated capacity.
Voltage at battery empty (V)	Battery empty voltage. Initial value is set automatically based on battery chemistry and nominal voltage.

Config button action	No action: WiFi is always on and ready for configuration; WiFi power: button press enables or disables WiFi. When enabled, it gets automatically in config mode; WiFi config: WiFi is enabled all the time, with pressing button SMARTSHUNT enters, or exit, config mode;
SoC low limit (%)	0, 5, 10, 15, 20, 25, 30, 35, 40, 45, 50, 55, 60

Table 10: Shunt parameters

Alert parameters:

Parameter values in this menu can be freely selected by the user. When measurements are outside limited values, warning message will be sent to NMEA2000 network and shown on screen of Exxx device. List of available alerts is written below:

Alert parameter	Options
Low voltage	Alert will show up when voltage on battery will be bellow selected value
High voltage	Alert will show up when voltage on battery will be above selected value
High charge current	Set the maximum charging current
High discharge current	Set upper limit of current that can be drawn by devices
Low temperature	Set low temperature limit for alert
High temperature	Set high temperature limit for alert
Low state of charge	Set when to alert battery remaining capacity

Table 11: Alarm parameter

4.1 Configuration via Wi-Fi

SMARTSHUNT has integrated Wi-Fi hot spot to which you can connect with smart phone or any other device that allows web browsing. It can be automatically connected with scanning QR code bellow serial number. You may get a message from the system, that there may not be available internet connection but just simply run your web browser and type in config.lxnav.com. With pressing enter, configuration page will show up. Before changing any parameter user should put SMARTSHUNT in config mode. That means violet status LED must be lit. In any other mode, settings will not be saved. For enabling Wi-Fi or putting it in config mode press Config button for more than a second.

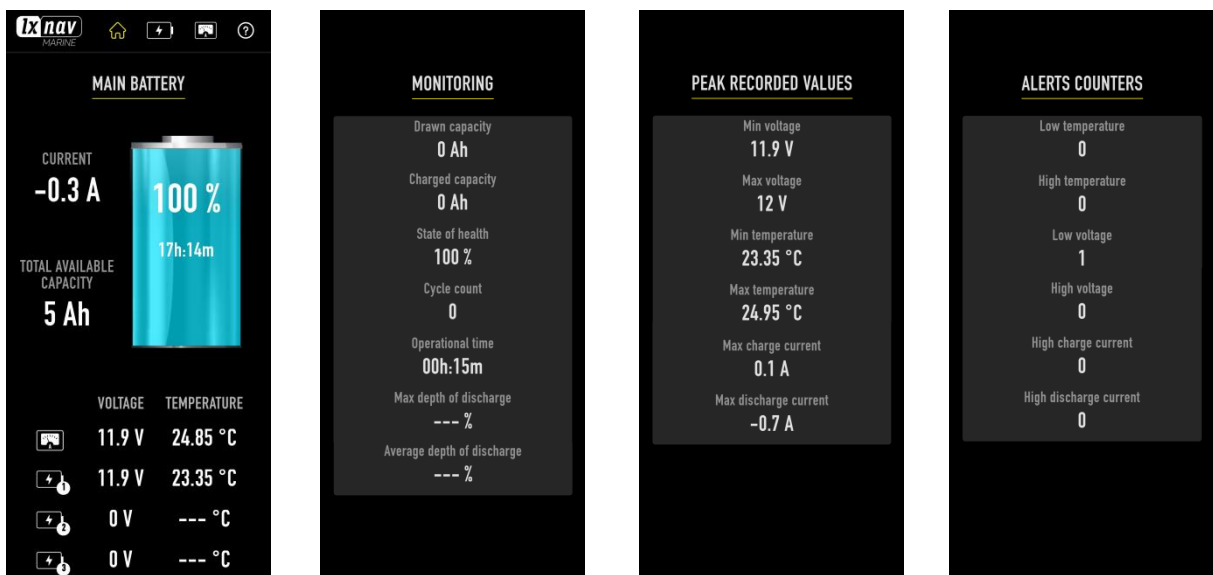
Configuration webpage that will show up consist of four pages easily selectable on top of the screen: Home, Battery config, Shunt config and Info page.



For quick preview, all pages are presented in next chapters.

4.1.1 Homepage

On home page user can view all current data of system in real time that are result of selected values on config pages, for example voltages, temperatures, current drawn, state of charge etc. as well as peak recorded values and history of alarm messages.

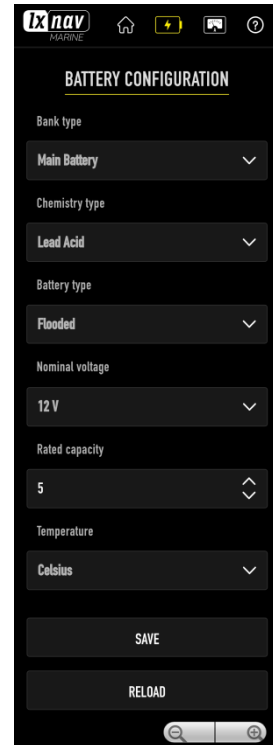


Please do not access to the browser via QR code for configuration, because browser does not support popup windows and saving configuration will not be possible.

The only way is to open browser and visit config.lxnav.com. Then you can change and save configuration settings.

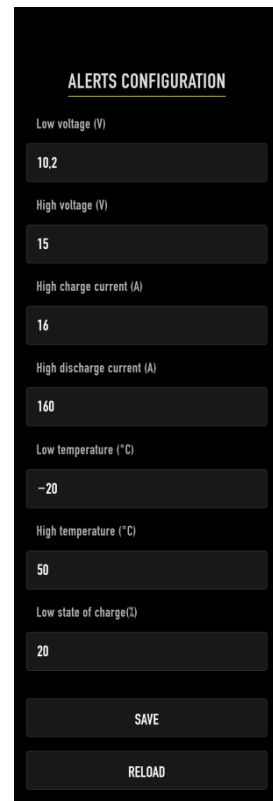
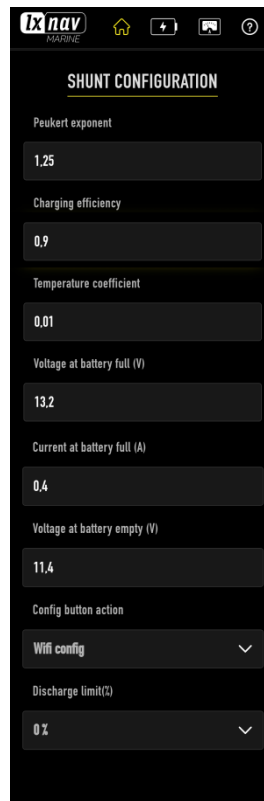
4.1.2 Battery configuration

On this page user configures battery type with all necessary data that are mandatory for correct calculations of battery state and health.



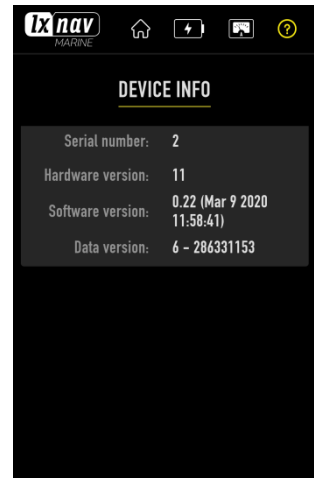
4.1.3 Shunt configuration page

All the necessary data related to current measurements should be filled out in this page. There is also button setting for desired WiFi action.



4.1.4 Info page

On this page are all information about device. Its serial number, hardware and software version.



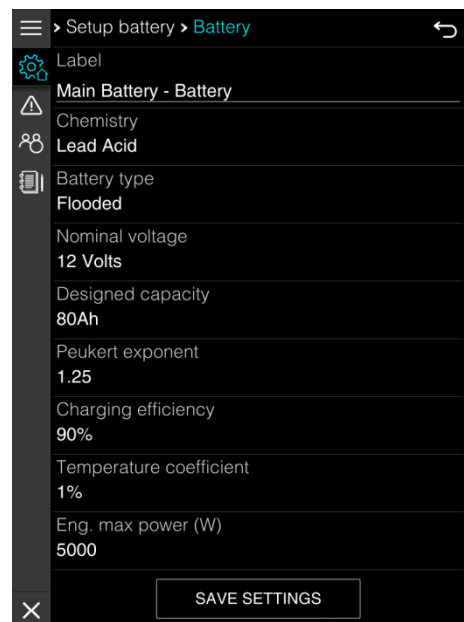
4.2 Configuration via LXNAV Exxx device

Second option for configuration of SMARTSHUNT is via any Exxx device. Assuming that the NMEA2000 network is established battery and shunt configuration pages are accessible under different paths under setting menus. In following two chapters are written paths where menus can be found and their window previews. For operating and calibrating external devices on Exxx units refer also to Exxx user manual.

4.2.1 Battery setup

Parameters related to battery packs should be set in menu that is accessible under this path:

Settings->Network->Device calibration->Battery



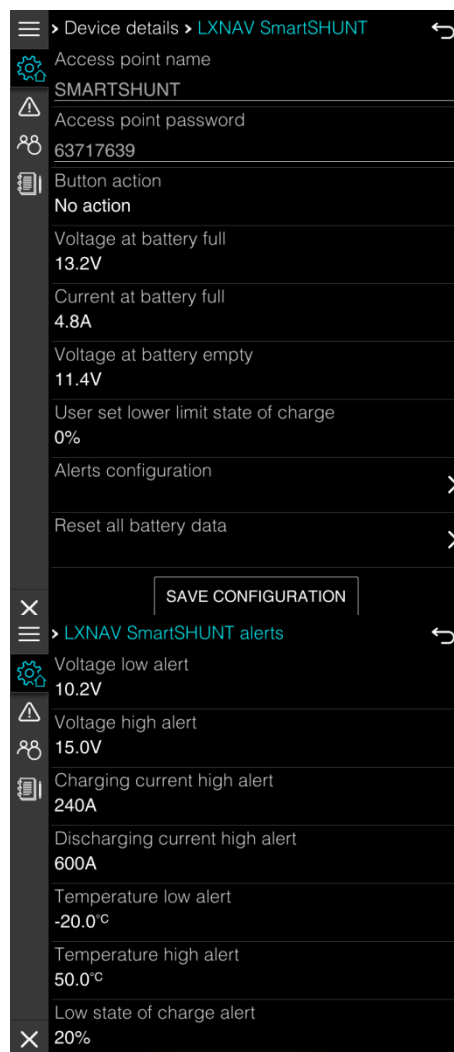
4.2.2 Shunt setup

Second configuration menu is found under:

*Settings->Network->Connected devices->
Device details->Device setup*

Parameters there relates to measurements between shunt's terminals. There is also information about WiFi hotspot name and password under which is SMARTSHUNT accessible.

Inside shunt setup is submenu **Alerts configuration** with user selectable parameters limits for warning messages. There are seven warnings available in total.



5 First operation

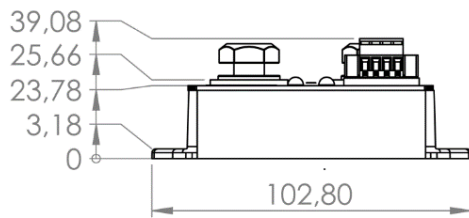
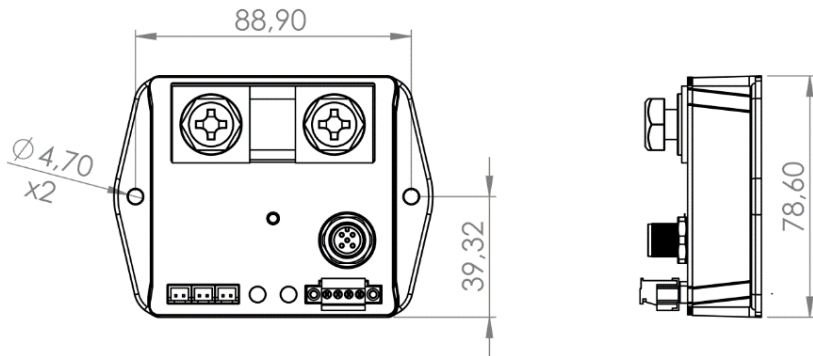
SmartSHUNT will start to operate normally and indicate real values after initial cycle. Initial cycle is finished, when first time are fulfilled conditions for battery full (Voltage must be higher than voltage setting for full and charge current must drop below full current setting)

To get really good performance, SmartSHUNT will need more charge/discharge cycles, to tune also other parameters like charge efficiency....

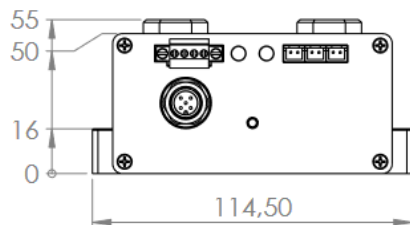
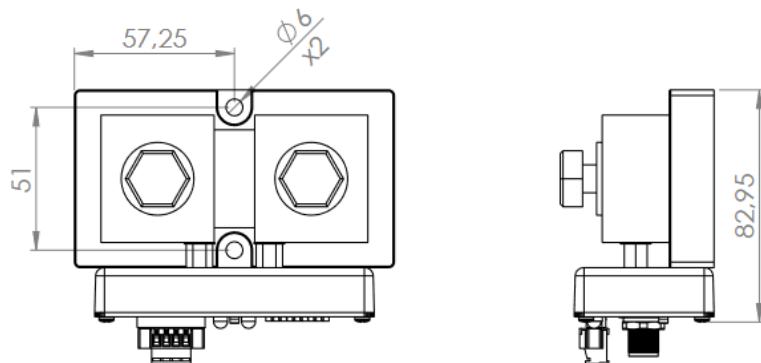
6 Dimensions

Version :

- 100A
- 300A
- 500A



Version : 1000A



Drawing is not to scale

6.1 Mounting recommendations

SMARTSHUNT has flat bottom and should be mounted with two screws to solid surface next to battery packs to minimize wire length from battery terminals to connector on SMARTSHUNT. With this, measurement error is minimized to minimum. Avoid wet compartments with high temperatures, for example near the engine, where temperatures can get above limits.



Do not work on the electrical system while it is energized.

Do not install the SmartSHUNT near inflammable substances.

Do not place the SmartSHUNT in a wet, humid or high temperature compartments.

Unauthorized modifications exclude manufacturers' liability for any resulting damage.

Do not mix batteries of various brands, voltages or capacities.

7 Wiring

Figure bellow shows example wiring with combination of three battery packs. In case user has less batteries, leave dedicated terminals empty.

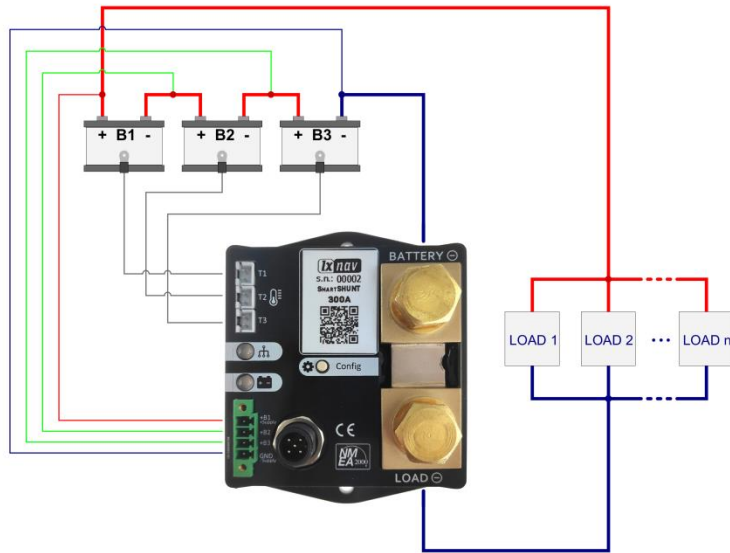


Figure 7: Batteries in series

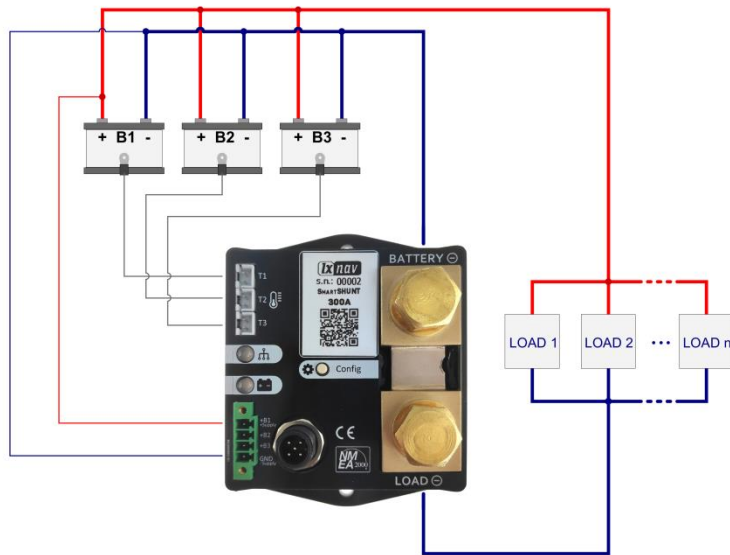


Figure 8: Batteries in parallel

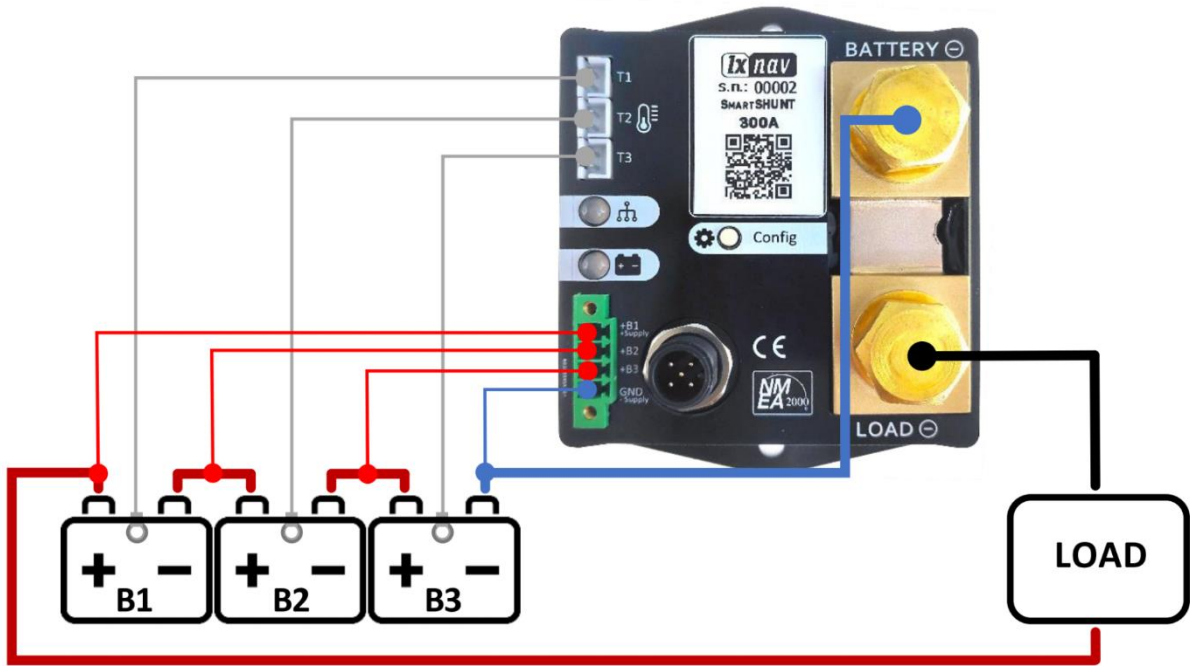


Figure 9: Wiring diagram for 3S Battery (e.g. 36V)

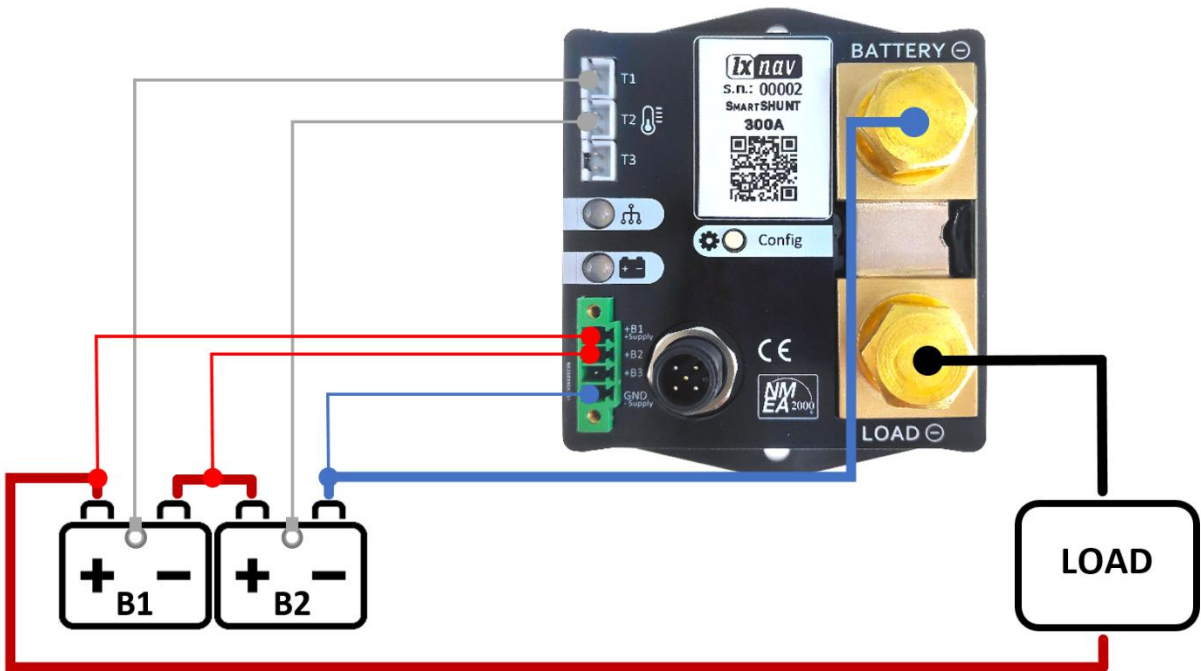


Figure 10: Wiring diagram for 2S Battery (e.g. 24V)



Figure 11: Wiring diagram for 1S Battery (e.g. 12V)

8 Supported PGNs

NMEA 2000 compliant PGN

List NMEA 2000 PGN (transmit)

60928	ISO Address claim
126996	Product information
126998	Configuration information
126208	Group function
59392	ISO ack
126464	PGN List
126993	Heartbeat
60416	ISO TP CM
60160	ISO TP DT
61184	ISO Proprietary
126720	ISO Proprietary
126983	Alert
127508	Battery Status
127506	DC Detailed Status
127513	Battery Configuration
130060	Label

NMEA 2000 PGN (Receive)

60928	ISO Address Claim
126208	Group Function
59904	ISO Request
65240	ISO Commanded Address
60416	ISO TP CM
60160	ISO TP DT
59392	ISO Ack
61184	ISO Proprietary
126720	ISO Proprietary
65280	ISO Proprietary
126992	System Time
129029	GNSS Position Data

9 Revision history

Date	Revision	Description
April 2020		Initial release of this manual
July 2020		Added Ch 5
August 2020	1	Updated Table 1
August 2021	2	Added wiring examples Ch 7
December	3	Updated chapter 4.1.1
March 2023	4	Packing list update
Feb 2025	5	Updated specification and supported PGNs
Feb 2025	6	Added list of supported PGNs